



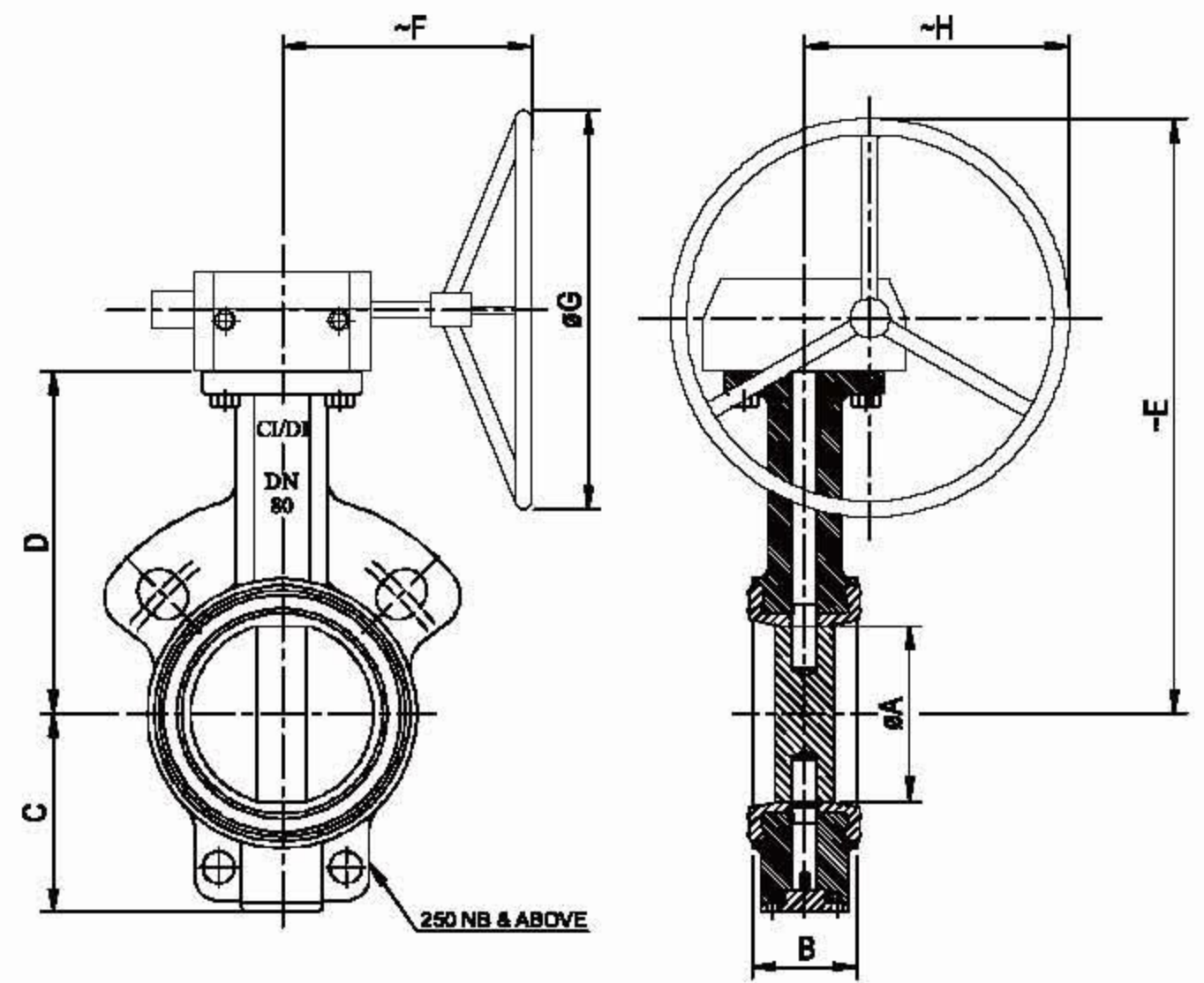
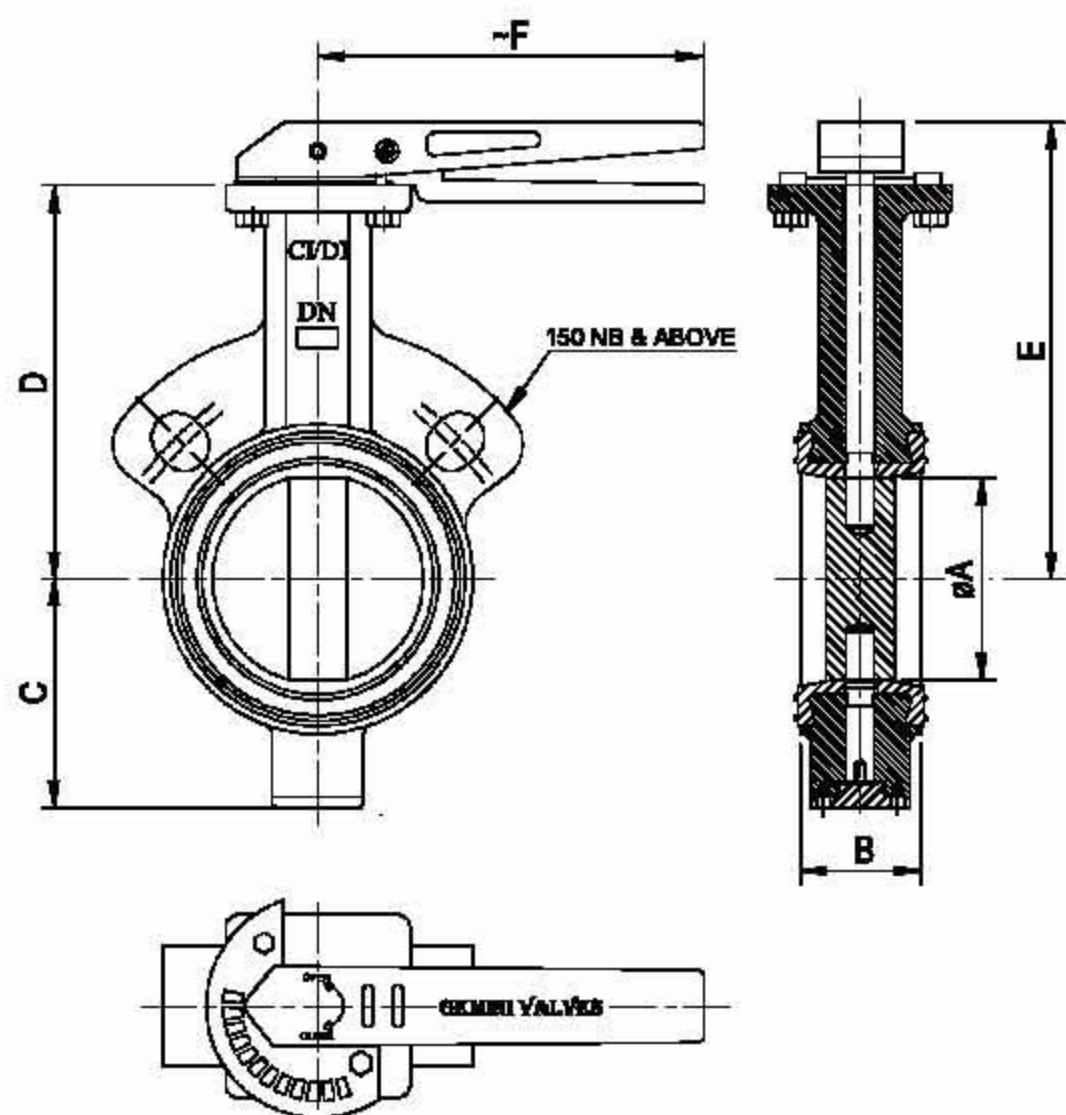
GEMINI VALVES AND PUMPS PVT. LTD.

(End to end Solution in Automation & Process Industries)

General Purpose Butterfly Valve



Gemini Butterfly valve has cast iron body available in wafer construction. All valves have a flange with locating holes that meet ANSI Class 125/150 (or BS 10 Table D & E, PN 10/PN 16) drilling. High flow capacity disc. The seat is of the heavy duty, square-groove "CENTER LOCK" seat design with primary hub seal & molded o-ring. The body liner which also functions as the soft seat, comes in either a replaceable version or an integrally moulded (bonded) version & offers 100% bi-directional sealing against vacuum to rated pressure of PN 16.



DIMENSIONS IN mm

VALVE SIZE	ØA	B	C	D	E	F	Wt. Kg.
50	50	43	73	113	160	195	4.2
65	65	46	80	121	170	195	4.8
80	80	46	88	128	175	195	5.2
100	100	52	104	146	195	250	7.3
125	125	56	116	158	205	250	8.3
150	150	56	138	174	230	300	12

DIMENSIONS IN mm, PN 10 & PN 16 With Worm Gear

VALVE SIZE	ØA	B	C	D	E	F	ØG	H	Wt. Kg.
200	200	60	163	198	365	242	250	182	23
250	250	68	203	243	410	242	250	180	30
300	300	78	228	270	486	285	350	252	41

General Design & Manufacturing
 Standard: API 609/ BS EN-593
 Testing Standard: API 598//BS EN 12266-1

Key Features

Self lubricant PTFE lined bearings for both drives & non drive ends ensure minimum bearing friction torque.
 Heavy duty acetal bushing absorbs the forces acting on the stem/disc assembly due to line pressure
 The secondary sealing is achieved through double integrally molded 'o' rings which are compressed around the stem.
 Heavy duty one-piece body. Standard coating is two coats of hard, zinc-rich epoxy for excellent corrosion resistance.
 High strength stem-stem connection available in Gemini sizes

MATERIAL OF CONSTRUCTION

BODY * Epoxy painted cast iron ASTM A 126 CLASS B

* Ductile iron ASTM A 536 65-45-12 * 316 Stainless steel ASTM 351 CF8M

* Carbon steel ASTM A 216 WCB MATERIAL OF CONSTRUCTION

SEAT

* Buna-N * EPDM * VITON * White BUNA-N * White EPDM * PTFE- Lined EPDM DISC

* DI ASTM A 536 GR. 65-45-12+Epoxy Coated

* 316 Stainless Steel ASTM 351 GR. CF8M

* Nylon 12 Coated Ductile Iron ASTM A 536 GR. 65-45-12 (Optional)

VALVE OPERATORS

LEVER

Valves up to size 6" can be supplied with lever handles for manual operation. Lever operator can also be attached chain pulley operators.



GEAR

valves up to size 12" can be supplied with gear operators for manual operation. Gear operators can also be attached chain wheel operators for opening or closing valves located on pipelines at high elevations



ACTUATORS

All valve can provided with pneumatic actuators & accessories for complete automation option such as fail open/close & positioner controlled. Valves can be mounted with manual overrides.



Seat Temperature Range

Seat Type	Temperature Range	
	Min.	Max.
EPDM	-13°F(-25°C)	302°F(150°C)
BUNA-N	-13°F(-25°C)	212°F(100°C)
Viton	23°F(-5°C)	302°F(200°C)
White BUNA-N	-13°F(-25°C)	212°F(100°C)
PTFE-Lined EPDM	-20°F(-29°C)	302°F(100°C)

GEMINI VALVES AND PUMPS PVT. LTD.

Regd. Office & Works : W-261, J-Block, Indrayani Nagar, MIDC, Bhosari, Pune-411 026.

☎ : (020) 65100617, Mobile : (+91) 98903 17654

Email : contact@geminivalves.com, info@geminivalve.com,

Website : www.geminivalve.com, www.geminivalves.in