

BALL VALVE

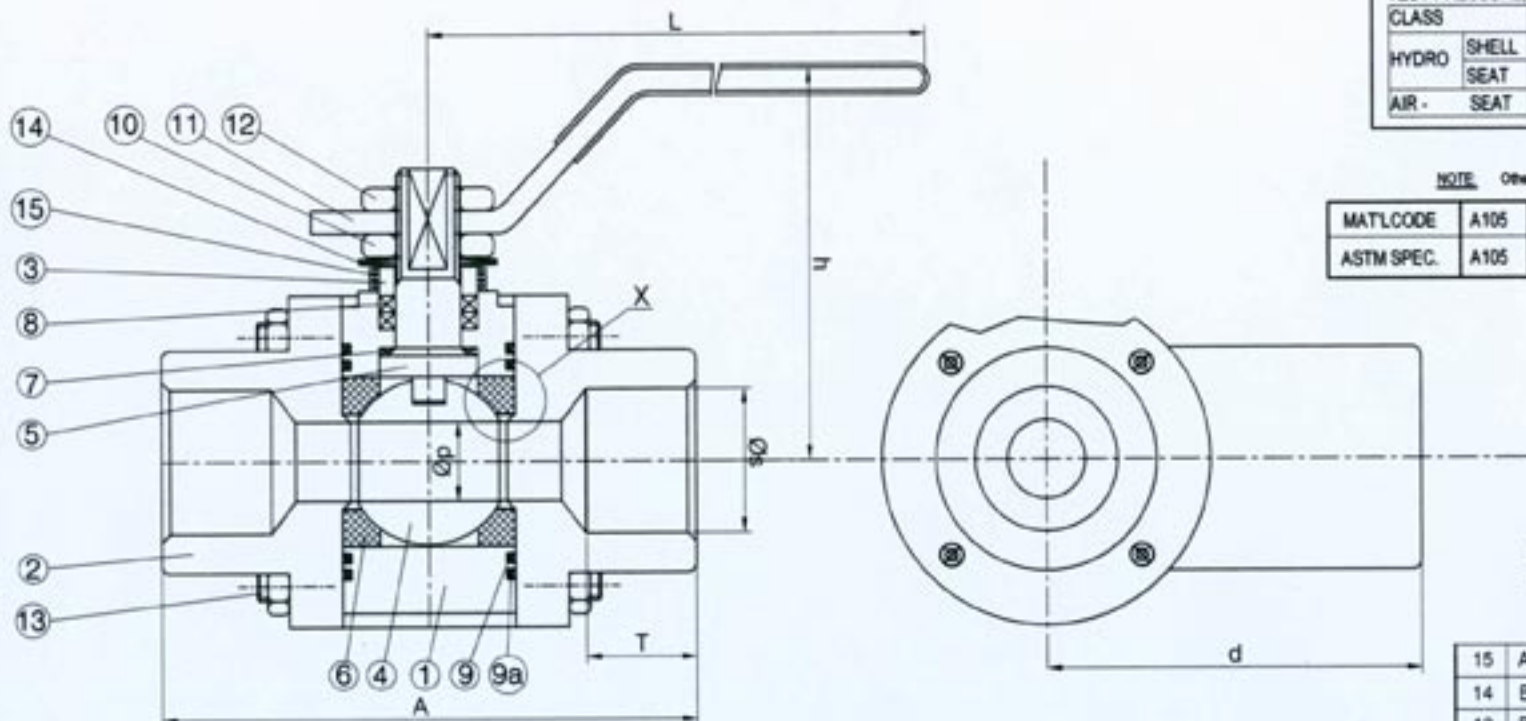
(FULL PORT, 3WAY L PORT, SOCKET WELD ENDS, LEVER OPERATED)

SPECIFICATION -

DESIGN STD. : BS 5351/ EN ISO 17292
 TESTING STD. : BS-6755, Part-1/ EN 12262-PART1
 FIRE SAFE TO API-607

TEST PRESSURE, Kg/cm²

| CLASS | 150 | 300 | 600 | 800 | |
|-------|-------|-----|-----|-----|-----|
| HYDRO | SHELL | 31 | 77 | 152 | 211 |
| | SEAT | 23 | 51 | 69 | 69 |
| AIR - | SEAT | 7.0 | 7.0 | 7.0 | 7.0 |



NOTE: Other material available on request

| MATLCODE | A105 | WCB | CF8 | CF8M | 410 | 304 | 316 |
|------------|------|------|------|------|------|------|------|
| ASTM SPEC. | A105 | A216 | A351 | A351 | A276 | A276 | A276 |

NOTES:

1) DIMENSION 'A' AS PER MANUFACTURERS STANDARD.

| Size | Dimensional Data In mm | | | | | | | Qty. |
|------|------------------------|-----|-----|------|------|----|----|------|
| | A | h | L | Øp | Øs | T | d | |
| 15 | 65 | 54 | 145 | 11 | 21.8 | 10 | 58 | |
| 20 | 79 | 92 | 180 | 17.5 | 27.4 | 13 | 68 | |
| 25 | 86 | 96 | 180 | 23 | 34.1 | 13 | 78 | |
| 32 | 103 | 117 | 195 | 30 | 42.7 | 13 | 85 | |
| 40 | 113 | 122 | 195 | 37 | 49 | 13 | 95 | |

| | | |
|----|---------------------|--------------------|
| 15 | Antistatic spring | SS-304 |
| 14 | Belleville spring | SPRING STEEL |
| 13 | Body stud/nut | B7/2H |
| 12 | Lever nut | CARBON STEEL |
| 11 | Lever | CARBON STEEL |
| 10 | Gland nut | CARBON STEEL |
| 9a | Secondary Body seal | PTFE/GRAFOIL |
| 9 | Primary Body seal | O Ring |
| 8 | Gland packing | PTFE/GRAFOIL |
| 7 | Stem seal | GFT |
| 6 | Seat | PTFE/GFT/CFE |
| 5 | Stem | AISI 410/304/316 |
| 4 | Ball | AISI 410/304/316 |
| 3 | Gland | AISI 410/304/316 |
| 2 | Pipe end | A105/WCB/CF8/CF8M |
| 1 | Body | MS/WCB/SS304/SS316 |
| NO | DESCRIPTION | MATERIAL |

Series 10
Series 50

DRG. NO.:
 GV-10-15FB/40FB-SWE

REV NO.:

DATE:

GV NO.:

SCALE:

NTS

REV NOTE:

Gv | GEMINI Valves & Pumps