

BALL VALVE

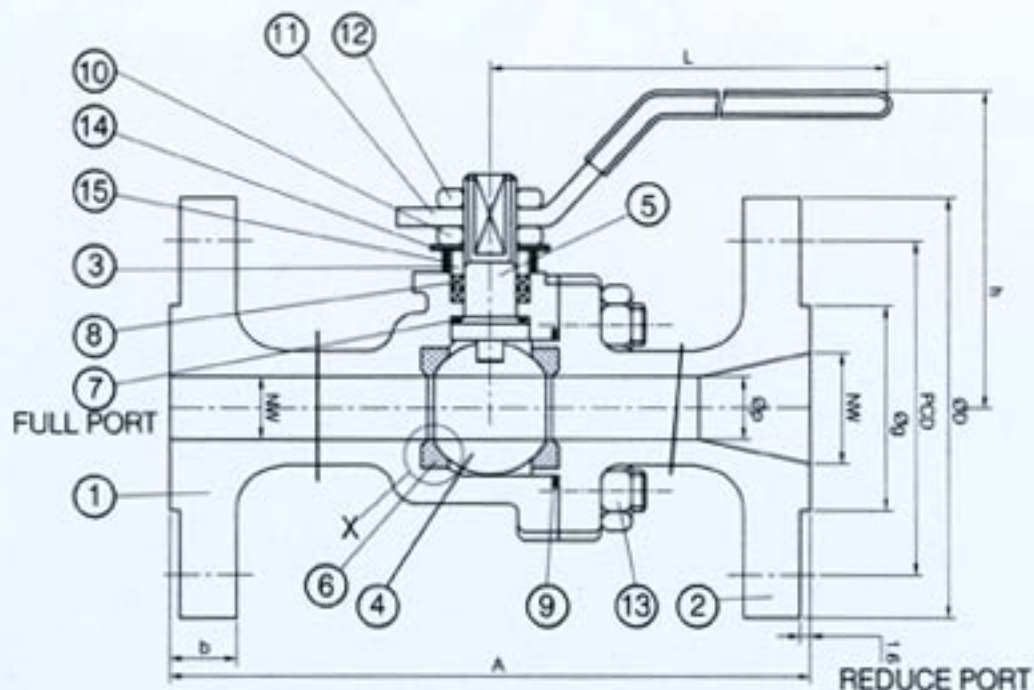
(REDUCED PORT, 2PC, FLANGED ENDS, FIRE-SAFE, LEVER OPERATED)

SPECIFICATION -

DESIGN STD. : BS EN 17292/ BS5351
 TESTING STD. : EN 12266-1/ BS-6755, Part-1.
 FLANGED STD : ANSI B16.5, RF SERRATED
 FIRE SAFE : API-607

TEST PRESSURE, Kg/cm²

CLASS	150	300	600	800
HYDRO SHELL	31	-	-	-
SEAT	23	-	-	-
AIR - SEAT	7.0	-	-	-



DETAIL X

15	Antistatic spring	SS-304
14	Belleville spring	SPRING STEEL
13	Body stud/nut	B7/2H
12	Lever nut	CARBON STEEL
11	Lever	CARBON STEEL
10	Gland nut	CARBON STEEL
9	Body seal	PTFE/GRAFOIL
8	Gland packing	PTFE/GRAFOIL
7	Stem seal	GFT
6	Seat	PTFE/GFT/CFT
5	Stem	AISI 410/304/316
4	Ball	AISI 410/304/316
3	Gland	AISI 410/304/316
2	Side Piece	WCB/CF8/CF8M
1	Body	WCB/CF8/CF8M

NO	DESCRIPTION	MATERIAL
----	-------------	----------

NOTE: Other material available on request

MATL CODE	WCB	CF8	CF8M	410	304	316
ASTM SPEC.	A216	A351	A351	A276	A276	A276

NOTES:

Size	Dimensional Data in mm										No. of Holes
	A	ØP	NW	h	L	ØD	b	Øg	PCD	HoleØ	
15	108	8	11	55	145	89	10.0	35	60.5	16	4
20	117	11	17.5	60	145	98.6	11.5	43	70	16	4
25	127	17.5	23	90	180	108	11.5	51	79.5	16	4
32	140	23	30	95	180	117	13	64	89	16	4
40	165	30	37	116	195	127	14.5	73	98.5	16	4
50	178	37	49	122	195	152	16	92	120.6	20	4
65	190	49	65	160	350	178	17.5	105	139.8	20	4
80	203	65	76	160	350	191	19.0	127	152.5	20	4
100	229	76	98	160	350	229	24	157	190.5	20	8
150	267	98	148	185	500	279	25.5	216	241.2	23	8

DRG. NO. :
GV-20-15RP/50RP-FLANGED

REV. NO. :

DATE :

GV NO. :

SCALE :

NTS

REV. NOTE. :

Gv GEMINI Valves & Pumps