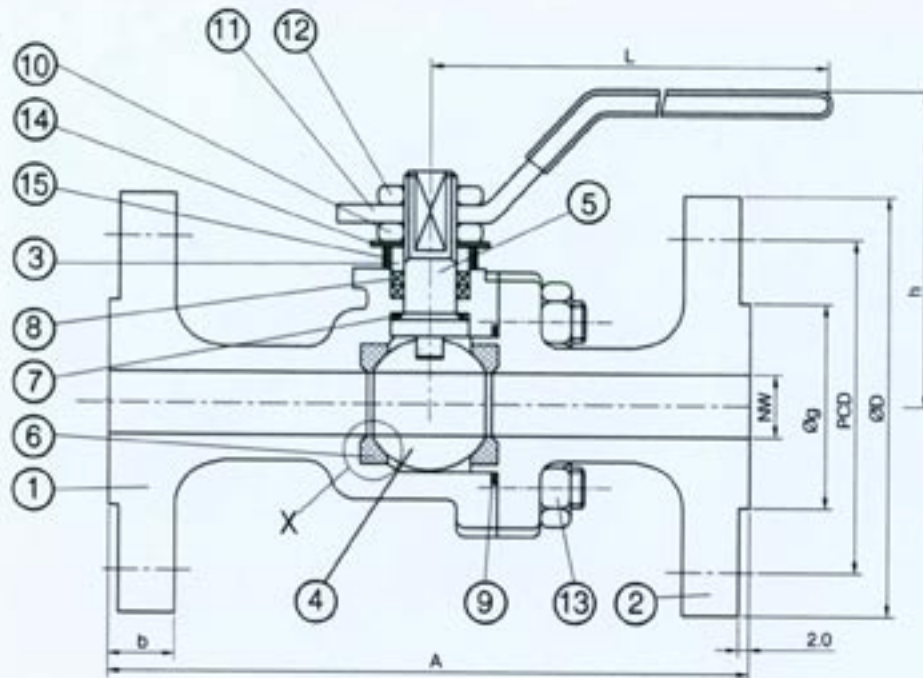


BALL VALVE

(FULL PORT, 2PC, FLANGED ENDS, FIRE-SAFE, LEVER OPERATED) #300



SPECIFICATION -

DESIGN STD. : BS 5351/ EN ISO 17292
 TESTING STD. : BS-6755, Part-1/ API 598/ EN 12266-1
 FLANGED TO B 16.5, RF SERRATED
 FIRE SAFE TO API-607

TEST PRESSURE, Kg/cm²

CLASS		300	600	800
HYDRO	SHELL	77	--	--
	SEAT	57	--	--
AIR -	SEAT	7.0	--	--

15	Antistatic spring	SS-304
14	Belleville spring	SPRING STEEL
13	Body stud/nut	B7/2H
12	Lever nut	CARBON STEEL
11	Lever	CARBON STEEL
10	Gland nut	CARBON STEEL
9	Body seal	PTFE/GRAFOIL
8	Gland packing	PTFE/GRAFOIL
7	Stem seal	GFT
6	Seat	PTFE/GFT/CFT
5	Stem	AISI 410/304/316
4	Ball	AISI 410/304/316
3	Gland	AISI 410/304/316
2	Side Piece	WCB/CF8/CF8M
1	Body	WCB/CF8/CF8M
NO	DESCRIPTION	MATERIAL

NOTE: Other material available on request

MATL CODE	WCB	CF8	CF8M	410	304	316
ASTM SPEC.	A216	A351	A351	A276	A276	A276

NOTES:

Size	Dimensional Data in mm									No. of Holes
	A	NW	h	L	ØD	b	Øg	PCD	HoleØ	
15	140	11	60	145	95	14.5	35	66.7	16	4
20	152	17.5	95	180	117	16	43	82.5	20	4
25	165	23	95	180	124	17.5	51	89	20	4
32	178	30	116	195	133	19.5	64	98.4	20	4
40	190	37	116	195	156	22	73	114.3	23	4
50	216	49	160	350	165	22.5	92	127	20	8
65	241	65	160	350	191	25.5	105	149	23	8
80	283	76	160	350	210	29	127	168.2	23	8
100	305	98	178	500	254	32	157	200	23	8

DRG. NO. :
 GV-30-15FB/100FB-FLANGED

REV NO. :

DATE :

GV NO. :

SCALE :

REV NOTE. :

NTS



GEMINI Valves & Pumps